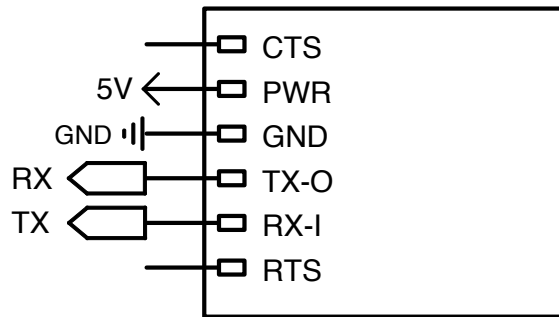
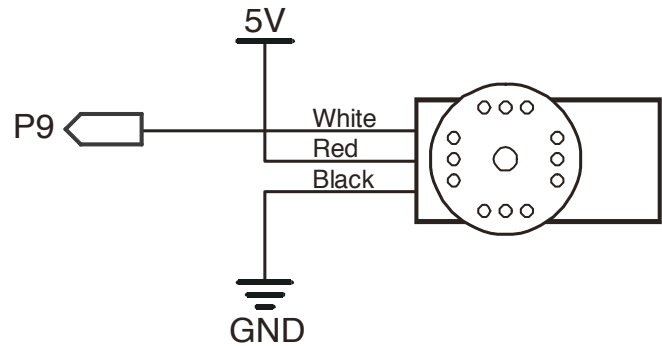


# Connecting N9 and Arduino over Bluetooth Schematics



BlueSMiRF Bluetooth module



Servo motor