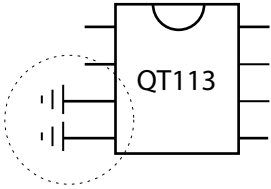
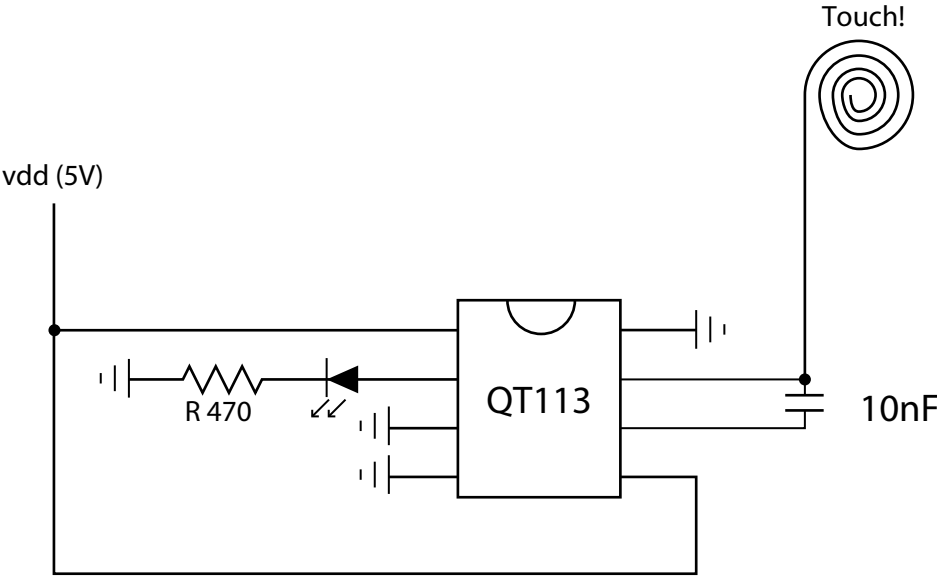
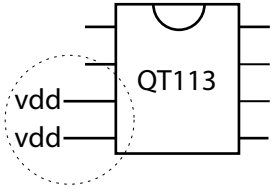


QT113 Touch Sensor schematic plan



When you touch, light will be flipped over.



Light is off while you are touching.